

# ALUMINUM A2000



**Manufacturers of Quality Marine Doors & Windows**

*A division of Pompanette, LLC*

# ALUMINUM A2000

A division of Pompanette, LLC

**Aluminum 2000** is the country's leading producer of quality doors and windows for the marine industry. Our wide range of custom designed aluminum extrusions, combined with our years of marine experience, gives us the knowledge and capabilities to provide unique and reliable solutions to your needs. With our enclosures, you can be assured of durability, weather resistance and security without compromising appearance and ease of installation.

## PRODUCT LINE

### Doors

- Swing Doors
- Sliding Doors
  - *Angled*
  - *Curved*
- Bi-fold Doors
- Salon/Patio Doors

### Windows

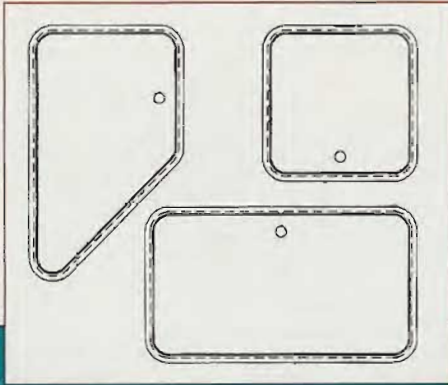
- Stationary Windows
- Sliding Windows
- Windshields
- Windscreens

## CONTENTS

|  |    |
|--|----|
| ▶ ACCESS DOOR SYSTEM                       |    |
| Series 2000.....                           | 1  |
| ▶ SLIDING DOOR SYSTEMS                     |    |
| Series 1600-A.....                         | 2  |
| Series 1600-B.....                         | 3  |
| Series 1600-E.....                         | 4  |
| ▶ SWING DOOR SYSTEMS                       |    |
| Series 1600-D.....                         | 5  |
| ▶ FIXED WINDOW SYSTEMS                     |    |
| Series 1400-D.....                         | 6  |
| Series 1400-E.....                         | 7  |
| ▶ SLIDING WINDOW SYSTEMS                   |    |
| Series 1600-E.....                         | 8  |
| ▶ RADIUSED WINDOW SYSTEMS.....             | 9  |
| ▶ CUSTOM WINDOW ORDERING INSTRUCTIONS..... | 10 |
| ▶ WINDSHIELD SYSTEMS                       |    |
| Series 2300.....                           | 11 |
| Series 7000.....                           | 12 |
| Series 7200.....                           | 13 |
| Series 7500.....                           | 14 |
| ▶ CUSTOM PRODUCTS.....                     | 15 |
| ▶ LOUVERED AIR VENTS.....                  | 16 |

ALUMINUM  
A2000

# ▶ ACCESS DOOR SYSTEM



Aluminum 2000's ACCESS DOORS are designed specifically for marine applications. The custom formed and welded master frames incorporate durable water tight seals that support multiple applications. The low profile frame design allows for added ease of installation in both surface and clamp-ring styles. The flush door panel will accept a full range of quality hardware.

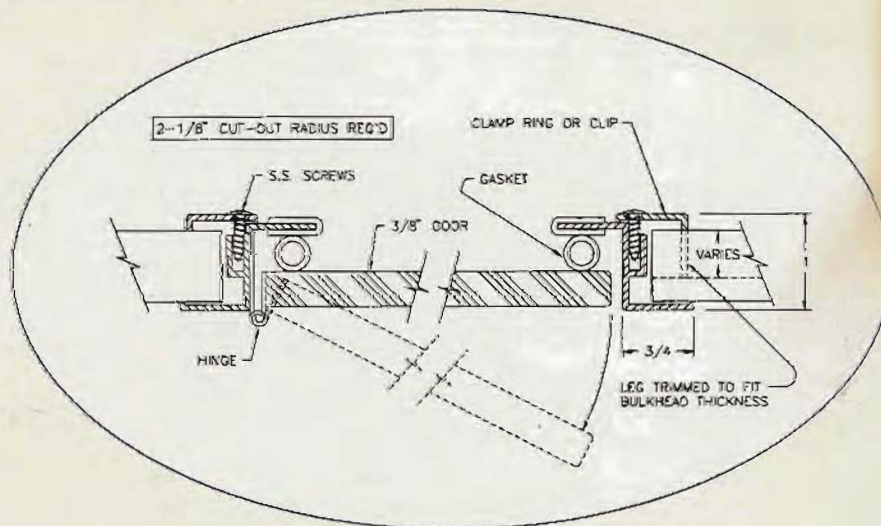
## SERIES 2000

As with every quality product from Aluminum 2000, our Access Doors can be custom designed to your specifications, with a variety of sizes and shapes, inserts and custom finishes. These doors are found on all types of boats including sport fisherman, cruisers, and houseboats.



### ▶ APPLICATION

Our new ACCESS DOOR/HATCH can be used in a wide range of marine applications. With a tight sealing inside gasket that completely surrounds the opening, these doors can be used in both interior or exterior applications. From bait and equipment compartment doors on fishing boats to interior locker doors and access hatches on larger boats. The clamp ring or clips can be trimmed to fit varying bulkhead and deck thicknesses. These hatches are ideal for creating access to potential storage areas in any size boat.



# ▶ SLIDING DOOR SYSTEMS

Although commonly referred to as patio doors, Aluminum 2000's SALON DOORS are not residential sliding doors. We have designed these doors specifically for marine use, believing they are the best in the business. The Series 1600-A doors also incorporate our famous track and roller system which keeps the doors secure and free of rattles.

Our unique sill design virtually eliminates water entry, even under the worst conditions. The lock stiles are designed wide enough to accept a full range of quality hardware from moderate to maximum security.



## SERIES 1600-A



Salon Doors can be custom designed to fit your specifications, to include two, three or four panels with a variety of matching color finishes and inserts.

### ▶ APPLICATION

Series 1600-A Sliding Doors are generally used in an aft bulkhead location as a cabin entry system, and are appropriate for motor yachts, sport cruisers and houseboats.

### ▶ FABRICATION

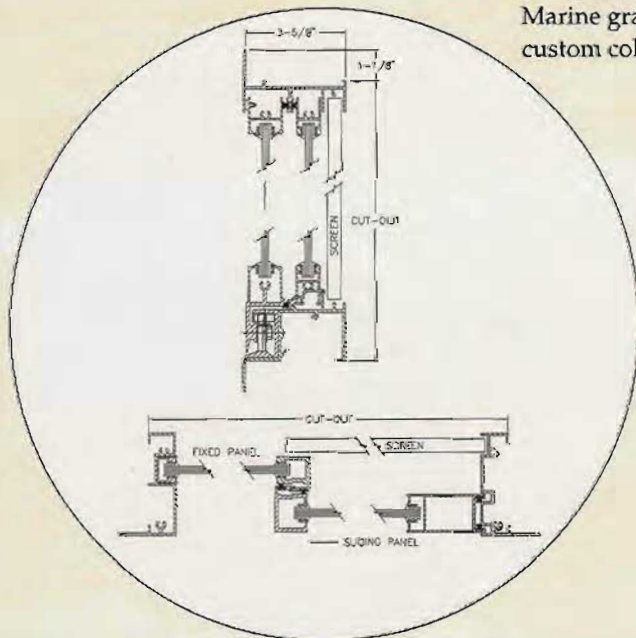
The master frame is of aluminum extrusion and is mechanically assembled for ease of shipment. Door panels are extruded to allow for glazing with 1/4" tempered glass. Master frame flanges allow for ease of installation.

### ▶ HARDWARE

Marine quality locksets, day-latches, handles and security systems are available upon your request.

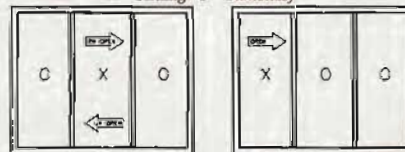
### ▶ FINISH

Marine grade polyester powder coatings in various standard and custom colors are available.

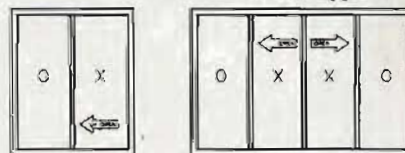


### AVAILABLE CONFIGURATIONS

X = Sliding O = Stationary



O-O-X opposite



X-O opposite

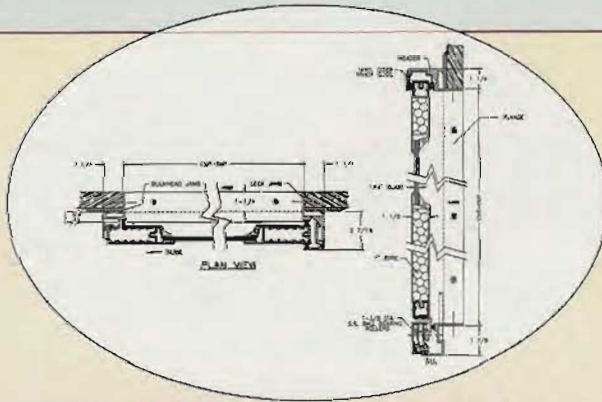
# ▶ SLIDING DOOR SYSTEMS



Aluminum 2000's SLIDING DOORS set the new standard for quality and reliability in today's marine industry. These custom extrusions have been designed to incorporate a dual integral tracking system, weather seals, and hardware options to ensure positive, long-lasting performance. In addition to our standard welded master frames and innovative composite panels, this design allows for the versatility of both exterior or interior installations plus angular and radius configurations.

## SERIES 1600-B

As with every quality product from Aluminum 2000, these entry doors will be custom designed to fit your specifications, whether single, double or multiple panel, with a variety of matching color finishes.



### AVAILABLE CONFIGURATIONS

| PANEL:   | OPERATION: | USE:           |
|----------|------------|----------------|
| Single   | Left/Right | Inside/Outside |
| Double   | X          | X              |
| Multiple | X          | X              |
| Angular  | X          | X              |
| Radius   | X          | X              |

#### ▶ APPLICATION

Series 1600-B SLIDING DOORS are typically used in a cabin side and aft bulkhead location as a salon entry and are appropriate for motor yachts, sport cruisers, sailboats and houseboats.

#### ▶ FABRICATION

The master frame of aluminum extrusions is welded and mechanically assembled to assure a weather-tight jamb. Door panels are composite and glazed using 1/4" tempered glass and cored panels. Custom angled and radius shapes are available with developed designs to allow for ease of installation.

#### ▶ HARDWARE

Marine quality locksets, day-latches, stainless steel handles and security systems are available upon your request.

#### ▶ FINISH

Marine grade polyester powder coatings in various standard and custom colors are available.

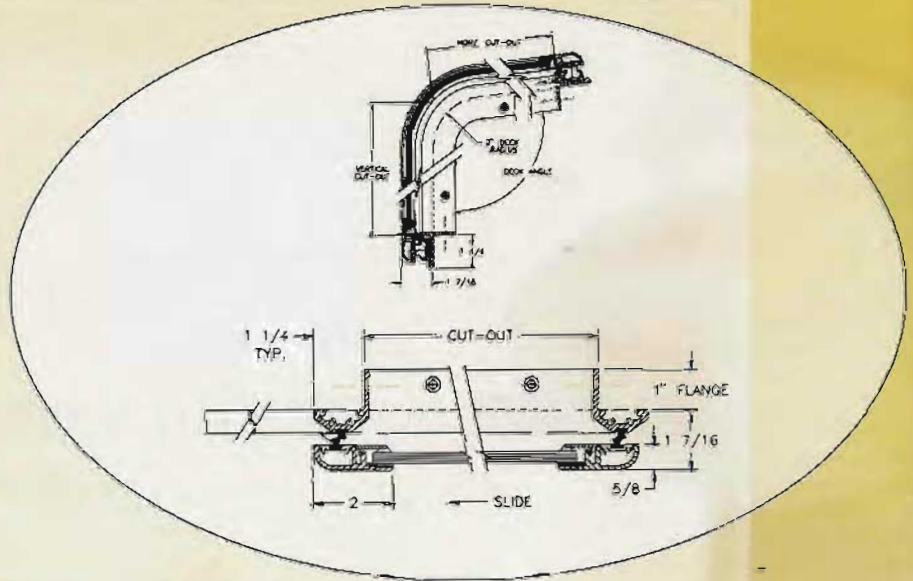
# ▶ SLIDING DOOR SYSTEMS

Aluminum 2000's Companionway sliding door has combined the advantages of a welded door panel with a low profile appearance. The Delrin glide system provides smooth operation of the framed door unit which incorporates a formed acrylic panel. The flush lockset has been developed exclusively for marine use, and offers a unique feature that will prevent accidental lock-outs.



## SERIES 1600-E

Aluminum 2000, entry doors can be custom designed to fit your specifications with a variety of matching color finishes and inserts.



### ▶ APPLICATION

Series 1600-E Sliding Doors are generally used in cabin deck location as an entry system and are appropriate for motor yacht, sport cruisers, sail and express models.

### ▶ FABRICATION

Master frame of aluminum extrusions are bent formed to match deck angle and mechanically assembled. Door panels are welded and allow for glazing of 1/4" acrylic panels. Low profile flanges allow for ease of installation.

### ▶ HARDWARE

Marine quality locksets, day-latches, handles and security systems are available upon request.

### ▶ FINISH

Marine grade polyester powder coatings in various standard and custom colors are available.

### AVAILABLE CONFIGURATIONS

| PANEL: | OPERATION: | USE:           |
|--------|------------|----------------|
| Single | Left/Right | Inside/Outside |

**ALUMINUM**  
**A2000**

# ▶ SWING DOOR SYSTEMS



Aluminum 2000's SWINGING doors offer a unique and reliable solution to problems associated with the other "standard" doors currently being used in marine conditions. This system has been developed to incorporate a welded master frame that is structurally superior, unique in design, and provides dual weather seals. Our composite door panel offers a flush design that enables window shapes and locations to perfectly blend with existing windows

## SERIES 1600-D

As with every quality product from Aluminum 2000, these entry doors will be custom designed to your specifications to include: single or double hung, "inside or out" swinging, custom finishes, glass and panel inserts.

### ▶ APPLICATION

Series 1600-D Swinging Doors are typically used in cabin side and aft bulkhead locations as salon entry and are appropriate for motoryachts, sport cruisers and houseboats.

### ▶ FABRICATION

Master frame of aluminum extrusions are fully welded assuring a weather tight jamb. The door panels are composite and glazed using 1/4" tempered glass or custom panels.

### ▶ HARDWARE

Marine quality locksets, day-latches, hinges and security systems are available upon request.

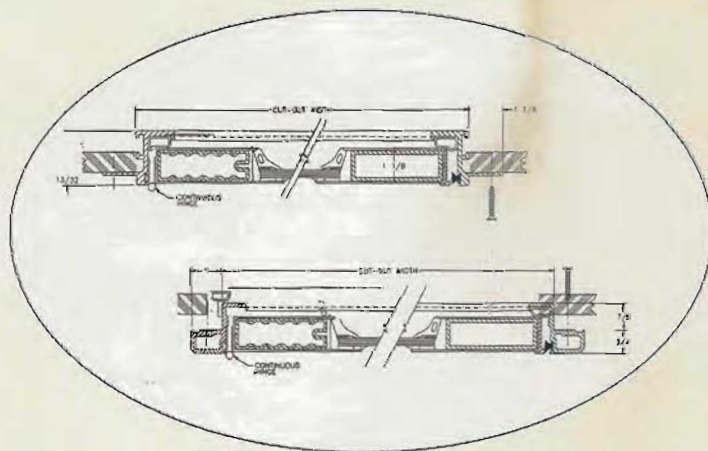
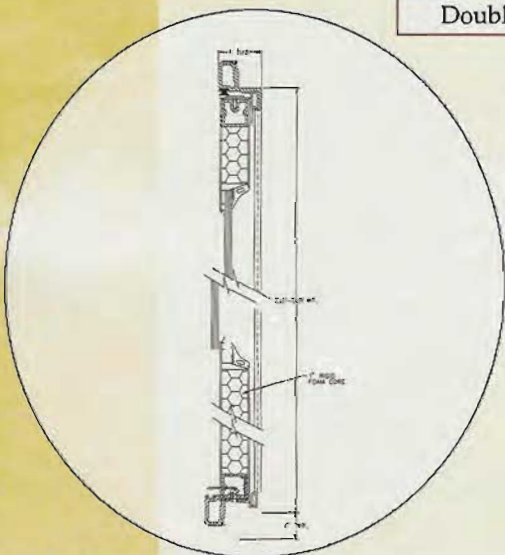
### ▶ FINISH

Marine grade polyester powder coatings in various standard and custom colors are available.



### AVAILABLE CONFIGURATIONS

| PANEL: | OPERATION: | USE:           |
|--------|------------|----------------|
| Single | Left/Right | Inside/Outside |
| Double | X          | X              |



# ▶ FIXED WINDOW SYSTEMS

Aluminum 2000's Fixed Window system has been developed to provide a heavy duty welded unit that is being used extensively throughout the marine industry. Not only does this represent a unique design that is attractive and versatile, but allows for configurations that can combine multiple fixed units within the same master frame for ease of installation. Glazing of 1/4" tempered glass is standard with optional 3/8" glass available.



## SERIES 1400-D

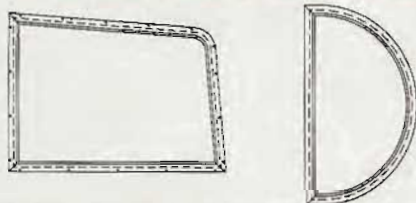


These windows can be custom designed to fit your specifications to include two, three, or multiple glass panels with a variety of matching finishes and glass tints available.

### AVAILABLE CONFIGURATIONS



Custom shapes available to your specifications:



### ▶ APPLICATION

Series 1400-D Fixed Windows are generally used as cabin non-venting systems and are appropriate for most motor yachts, sport cruisers, and houseboats.

### ▶ FABRICATION

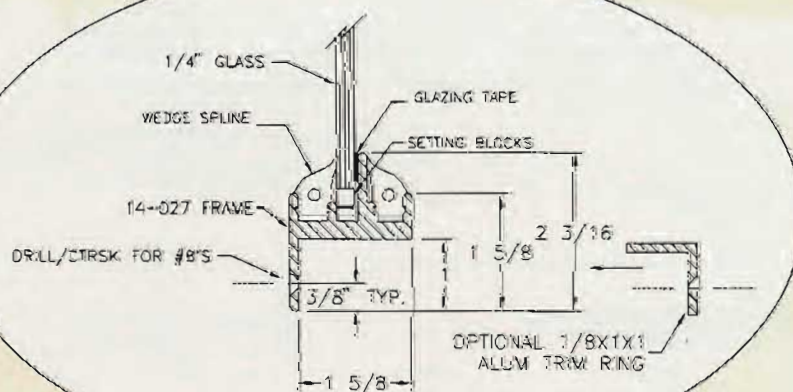
The master frame of aluminum extrusion is fully welded for structural strength. Frame assembly allows for glazing of standard 1/4" tempered glass, with opt. 3/8" glass available. Master frame flanges allow for ease of installation.

### ▶ HARDWARE

Marine quality gaskets and trims are standard.

### ▶ FINISH

Marine grade polyester powder coatings in various standard and custom colors are available upon request





# ▶ FIXED WINDOW SYSTEMS

**ALUMINUM  
A2000**



Aluminum 2000's Fixed Window system has been developed to provide a medium duty welded unit. Not only does this represent a unique design that is low profile, but is adaptable to various sizes and shapes currently used throughout the marine industry. Glazing of 1/4" tempered glass is standard with optional 3/8" glass available. Flange mounting within the master frame allows for ease of installation.

## SERIES 1400-E

These windows can be custom designed to fit your specifications. This unit offers multiple glass options and is available with a variety of matching finishes and glass tints.

### ▶ APPLICATION

Series 1400-E Fixed Windows are used generally as windshield and non-vent cabin units. These can also be used in door systems as viewing glass, and are appropriate for most motor yachts, sport cruisers, and houseboats.

### ▶ FABRICATION

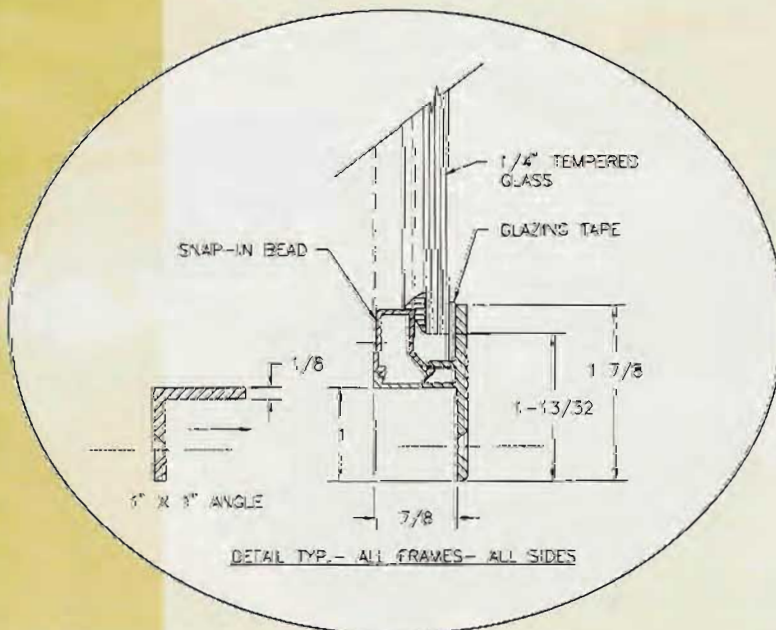
The master frame of aluminum extrusion is welded for structural strength. Frame assembly allows for glazing of standard 1/4" tempered glass. (opt. 3/8") Master frame flanges allow for ease of installation.

### ▶ HARDWARE

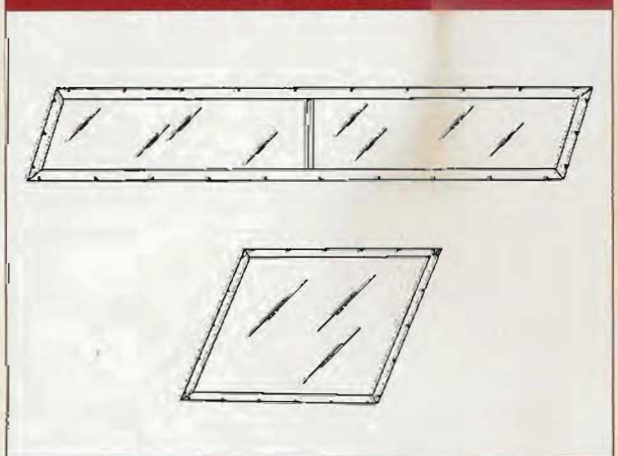
Marine quality gaskets and trims are always standard.

### ▶ FINISH

Marine grade polyester powder coatings in various standard and custom colors are available upon request.



### AVAILABLE CONFIGURATIONS



# ▶ SLIDING WINDOW SYSTEM

**ALUMINUM  
A2000**

Aluminum 2000's Horizontal Sliding Window system represents a unique design that is attractive, contemporary, and adaptable to various configurations. The welded aluminum extrusions incorporate a nylon tracking system that allows the tempered glass panels to operate easily and consistently regardless of window size. This provides a window with easily replaceable glass, interior screens, and custom gaskets to ensure a weathertight enclosure.



## SERIES 1400-B

These windows can be custom designed to fit your specifications to include two, three, or multiple glass panels with a variety of matching finishes and glass tints.



### ▶ APPLICATION

Series 1400-B Sliding Windows are generally used as a cabin/venting system and are appropriate for motor yachts, sport cruisers, and houseboats.

### ▶ FABRICATION

The master frame of aluminum extrusion is welded for structural strength with all non-ferrous fasteners used in the final assembly. Slide panels allow for glazing of either 3/16" or 1/4" tempered glass. Master frame flanges allow for ease of installation.

### ▶ HARDWARE

Marine quality latches, handles, and screens are available upon request.

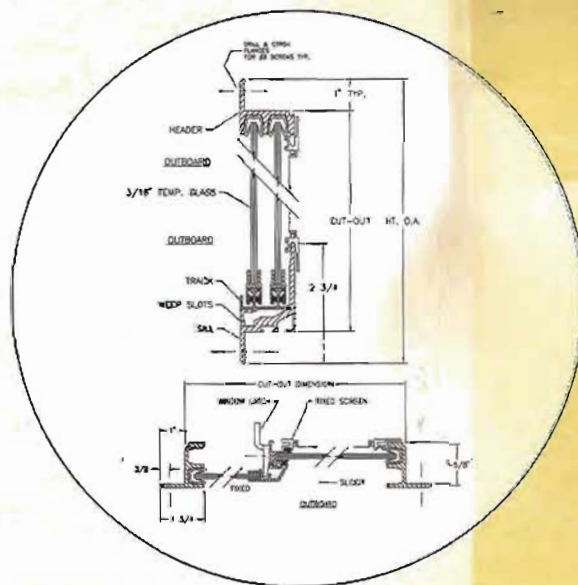
### ▶ FINISH

Marine grade polyester powder coatings in various standard and custom colors are available upon request.

### AVAILABLE CONFIGURATIONS

| PANEL:   | OPERATION: | USE:           |
|----------|------------|----------------|
| Single   | Left/Right | Inside/Outside |
| Double   | X          | X              |
| Multiple | X          | X              |
| Angled*  | X          | X              |
| Radius*  | X          | X              |

\*Details available upon request



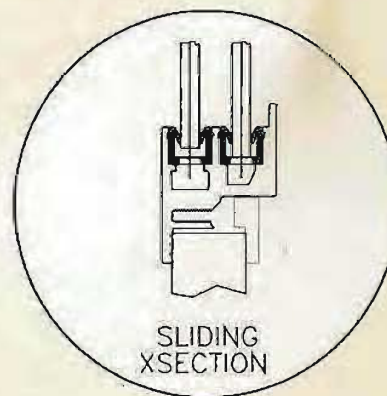
# ▶ RADIUS WINDOW SYSTEMS



## ▶ BENT RADIUS SYSTEMS

- Hinged outward opening.
- Vertical and horizontal sliding.
- Available with 3" cutout radius or mitered corners.
- Minimum hull thickness is 1/4", Maximum is 2". (Please specify when ordering).
- Green, Gray, Bronze or Clear Glass available.
- Powdercoat or anodized available.
- Highest quality gasketing utilizing weathering abilities of EPDM (no PVC).
- Screens available.

Sliding



# CUSTOM WINDOWS

specialty



## ORDERING INSTRUCTIONS

Aluminum 2000 has window solutions to meet the design, function, and performance requirements of boat builders. Please call for information.



CUSTOM  
STAINLESS WINDOW

CUSTOM  
ALUMINUM WINDOW



### GLASS OPTIONS

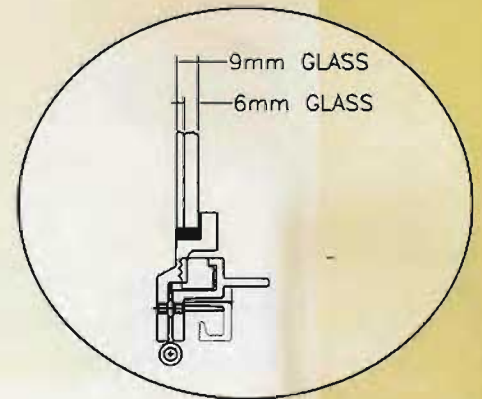


Bronze Gray Green Clear

### When ordering custom windows supply the following information:

1. Cut out size.
2. Hinged, sliding, or fixed windows.
3. Bent or Mitered corners.
4. Glass thickness. 6mm or 9mm. Glass color Green, Gray, Bronze or Clear.
5. Trim ring type.
6. Exterior gasket color. White or black.
7. Frame finish. Anodized, or white, black, or silver powder coat.

*Note: Custom windows require minimum orders of 5 at a time.*



### WINDOW FRAME OPTIONS



MITERED  
WINDOW



BENT WINDOW

### TRIM RING OPTIONS

TRIM RING #1  
.25-.88 HULL



TRIM RING #2  
.81-1.43 HULL



TRIM RING #3  
1.38-2.00 HULL



TRIM RING #4  
.69-1.38 HULL





With a variety of current shapes and curvatures available, these custom windows provide leading manufacturers with both unique designs and unsurpassed quality. Developed for all sizes of crafts, panels are of 3/16 tempered glass or thermoformed acrylic, which is specifically for marine use.

**SERIES 2300**

As with every quality product from Aluminum 2000, our windshields will be custom designed to fit your specifications. These windshields are found on a wide range of boats, ranging from sport cruisers to motor yachts.



**▶ APPLICATION**

Series 2300 WINDSHIELDS are used generally on sport cruisers and flybridge windscreens. These are appropriate for most motor yacht, sport/fish cruisers and houseboats where a standard duty windshield is desirable.

**▶ FABRICATION**

The master frames consist of aluminum alloy extrusions providing the structural strength required. This allows for glazing of standard 3/16" tempered glass or thermoformed acrylics, with various shapes and methods available for both design and the ease of installation.

**▶ HARDWARE**

Marine quality weather gaskets and trims are always standard.

**▶ FINISH**

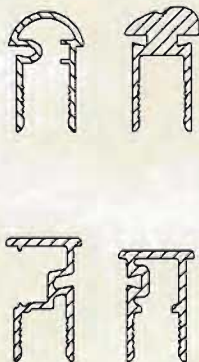
Marine grade polyester powder coatings in various standard and custom colors are available.

**AVAILABLE CONFIGURATIONS**

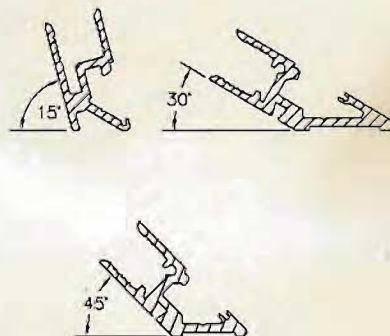
**FRONTS:** Single or Multi-fixed panels, with various shaped corner and hinged door units.

**WINGS:** Almost unlimited wing shapes can be created with vented or stationary panels as determined by your design.

**Header Options:**



**Sill Options:**



# ▶ WINDSHIELD SYSTEMS

Aluminum 2000 Series 7000 Windshield system provides a medium duty welded unit. The design profiles offer various sizes, shapes and installation options. These windows can be utilized as fixed or vented units in both free standing and deck mounted. Glazing of 3/16" tempered glass is standard with tint options always available.



## SERIES 7000

As with every quality product from Aluminum 2000, our Windshields can be custom designed to fit your specifications. These units also offer a variety of powder coat finishes to match your requirements.



### ▶ APPLICATION

Series 7000 windows are used generally as cabin deck windshields and insert window units and are appropriate for most motor yacht, sport cruisers, and houseboats.

### ▶ FABRICATION

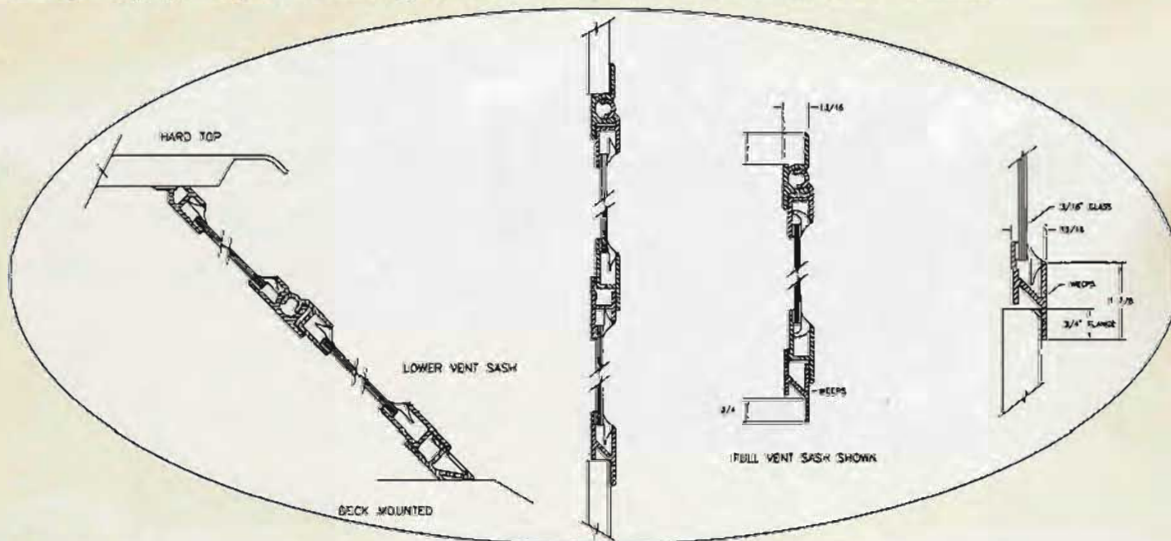
All master frames and opening sash units are welded for structural strength. The frame assembly allows for glazing of standard 3/16" tempered glass and various methods are available for ease of installation. 1/4" tempered glass is available.

### ▶ HARDWARE

Marine quality weather gaskets and trims are always standard.

### ▶ FINISH

Marine grade polyester powder coatings in various standard and custom colors are available.



**ALUMINUM**  
**A2000**



Aluminum 2000 Series 7200 Windshield system provides a low profile welded sliding unit. This design offers various sizes, shapes and installation options. The windows can be utilized as supportive side frames for hard top models or surface deck mounting. Glazing of 3/16" tempered glass is standard with tint options always available.

**SERIES 7200**

These windshields can be custom designed to fit your specifications. These units also offers a variety of powder coat finishes to match your requirements.



**▶ APPLICATION**

Series 7200 windows are used generally as cabin deck sliding window and are appropriate for most motor yacht, sport cruisers, and houseboats.

**▶ FABRICATION**

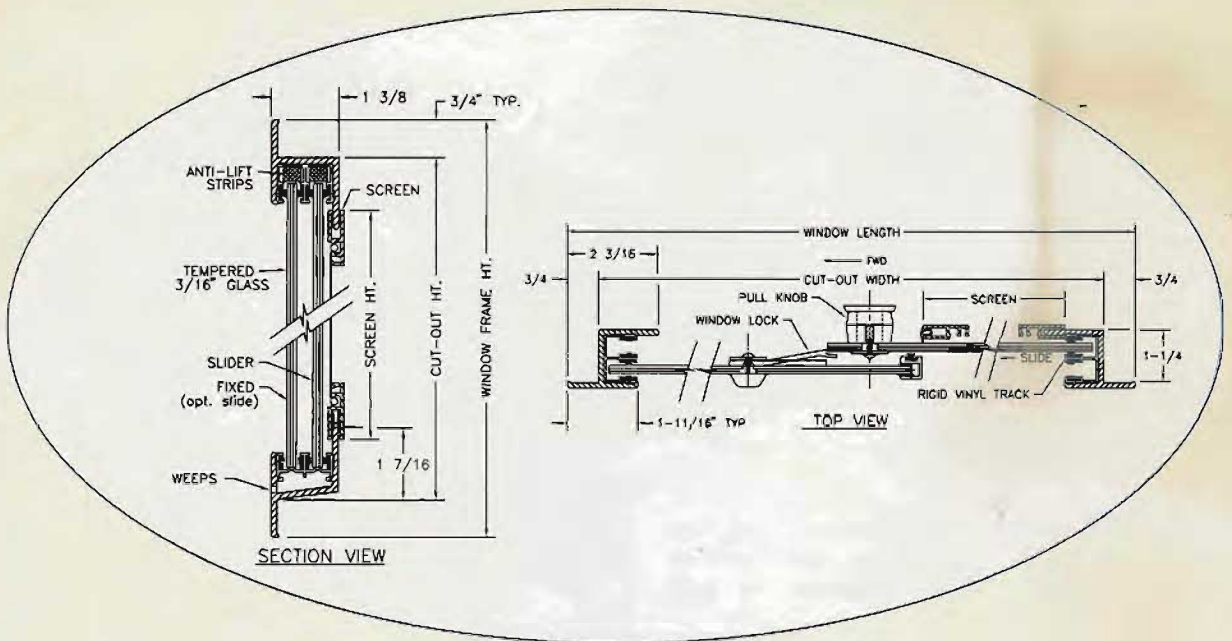
The master frame of aluminum extrusion is also welded for structural strength. The frame assembly allows for glazing of 3/16" tempered glass with various methods available for ease of installation.

**▶ HARDWARE**

Marine quality weather gaskets and trims are always standard.

**▶ FINISH**

Marine grade polyester powder coatings in various standard and custom colors are available.



# ▶ WINDSHIELD SYSTEMS

The Series 7500 is a heavy duty curved windshield. This unit allows for various custom configurations without compromising the design style. The Series 7500 Windshield can also incorporate our unique seamless design which allows for an uninterrupted forward section. As with all of the styles, opening doors and side vents are available. Developed for many styles and sizes, the glazing panels are of 3/16" tempered glass or thermoformed acrylic.



## SERIES 7500



### ▶ APPLICATION

Series 7500 Windshields are custom made to your design specifications. These are appropriate for motor yachts, sport and express cruisers or for any application where a solid, heavy-duty windshield is required.

### ▶ FABRICATION

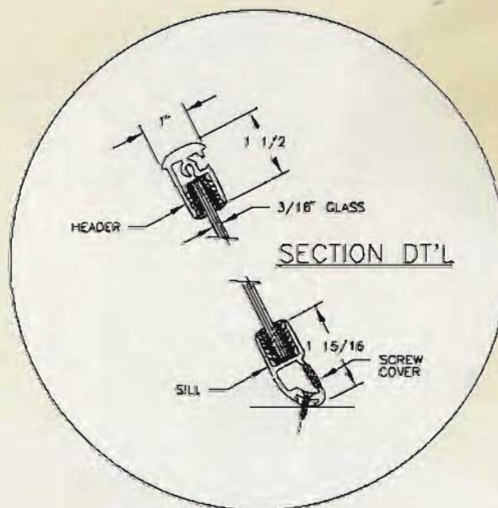
The 7500 Series Windshield is an all aluminum, heavy-duty system that can include a hinged door, vented wings and stationary panels. Contact our design dept. for information and requirements for curved windshields designs.

### ▶ HARDWARE

Only marine grade hardware is used, providing a long-lasting, quality unit.

### ▶ FINISH

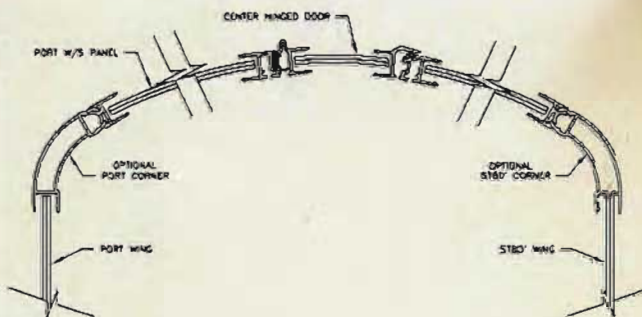
We use marine grade polyester powder coatings in various standard and custom colors.



## AVAILABLE CONFIGURATIONS

**FRONTS:** Single or multi-fixed panels, with optional corners and hinged door.

**WINGS:** Almost unlimited wing shapes can be created. The wings can be fixed panels or vented with the shape determined by your design needs.

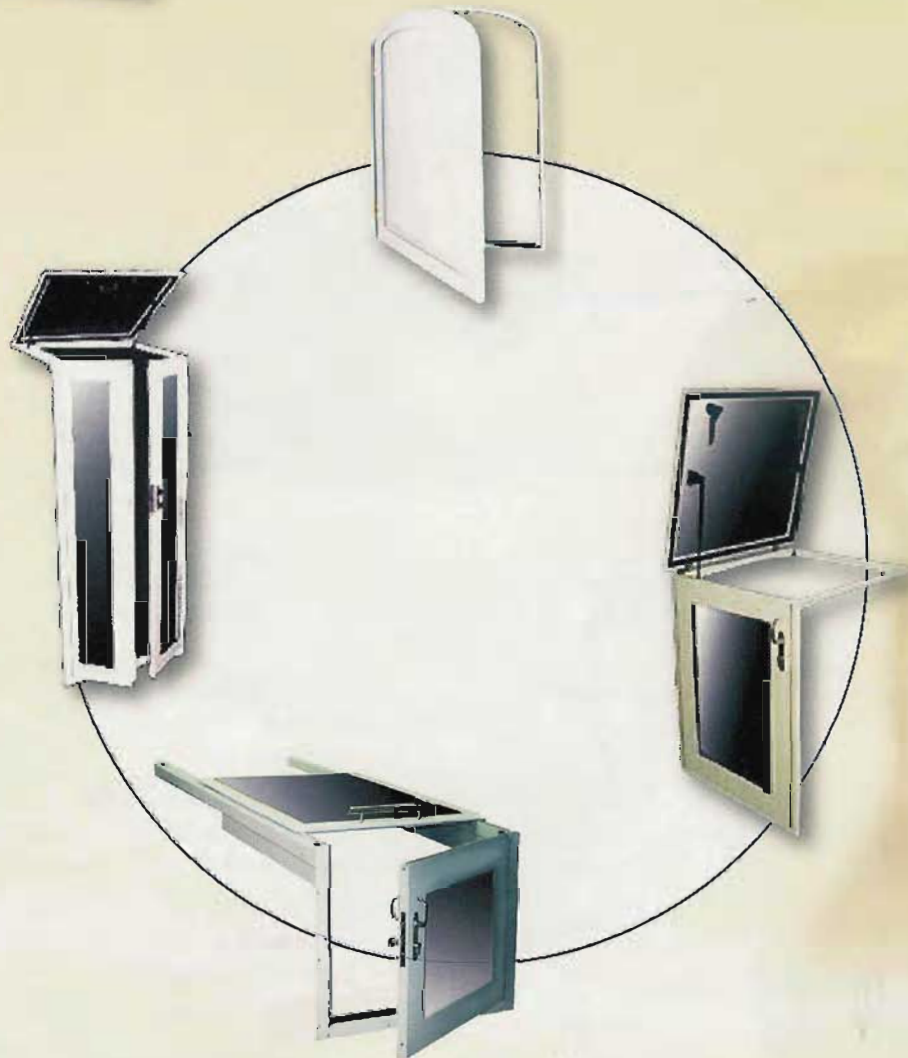




# ▶ CUSTOM PRODUCTS

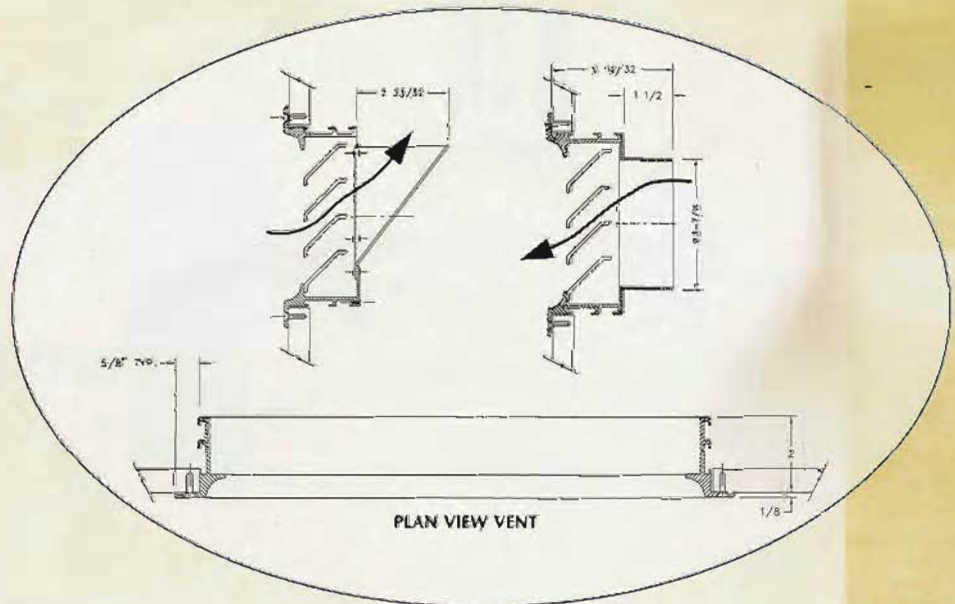
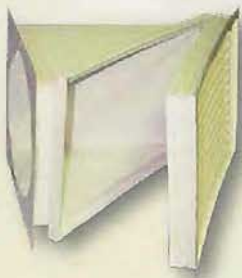
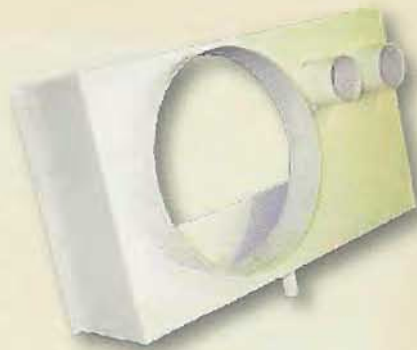


A perfect boat design should not be compromised by building around a stock door or window system. From flybridge enclosures to door-hatch combinations or vents, our designers will work closely with you to create a unique and functional enclosure that will be custom manufactured to your specifications.



# ▶ LOUVERED AIR VENTS

Aluminum 2000's louver Vent System combines design that is attractive, functional and adaptable to various configurations. The low profile aluminum extrusion incorporated a welded louver system that allows for usage in both intake and exhaust requirements.



**ALUMINUM**  
**A2000**

# ALUMINUM A2000



## ► FABRICATION

Aluminum extrusions of marine grade alloys are the strong foundation of every door and window system that we produce. The design incorporates the benefits of both mechanical and welded fabrication. This combination results in construction that exceeds most others for structural strength.

## ► WEATHERING

Premium adhesives and sealant gaskets are used in every area requiring watertight conditions. An exclusive "Interlock" prevents water entry on all sliding doors and windows even under the most severe conditions.

## ► GLAZING

The flexibility of our designs allows a wide variety of acrylics, tempered and laminated glass, and custom combination inserts to be used to enhance enclosure appearance.

## ► HARDWARE

All hardware must meet or exceed our high quality standards. A full range of finishes are available in stainless, chrome, brass, anodized and custom colors.

## ► FINISHING

As the most visible part of each assembly, the importance of its finish can not be overlooked. Each part is prepared and finished with either high quality polyester powder coating or marine grade urethane in various standard and custom colors.

## ► INSTALLATION

Various types of mounting systems have been reviewed and considered to ensure easy and reliable installation. The compatibility of our systems enables them to be used by the OEM market as well as by individuals or marine repair services.

## ► DESIGN SERVICE

Boat designers often encounter situations which require highly unusual designs. Our talented staff will approach each project openly with your specific requirements in mind. We will work closely with you during all phases of development and manufacturing.

# ALUMINUM A2000

595 East Oregon Road  
Lititz, Pennsylvania 17543  
Phone: 717.569.2300 • Fax: 717.569.3870  
[www.aluminum2000.com](http://www.aluminum2000.com)

*A Division of Pompanette, LLC.*



**BOMAR  
BOWYS**

**HOOD**  
YACHT SYSTEMS

**GRAY**

**ALUMINUM  
A2000**

  
**Pompanette**